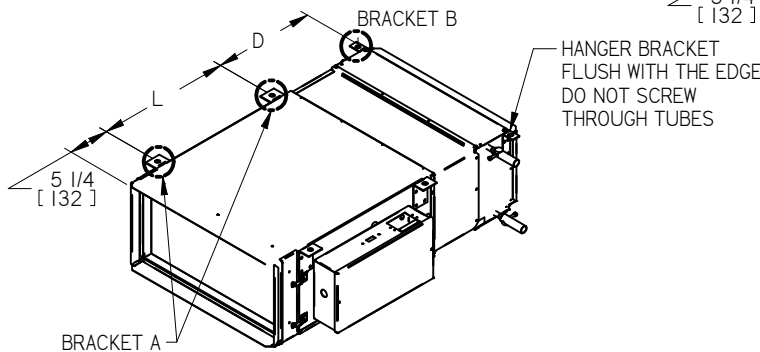


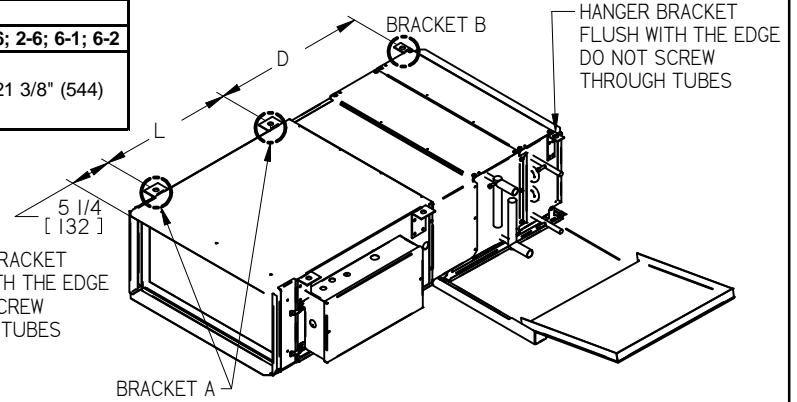
HANGER BRACKETS (HB) LOCATION



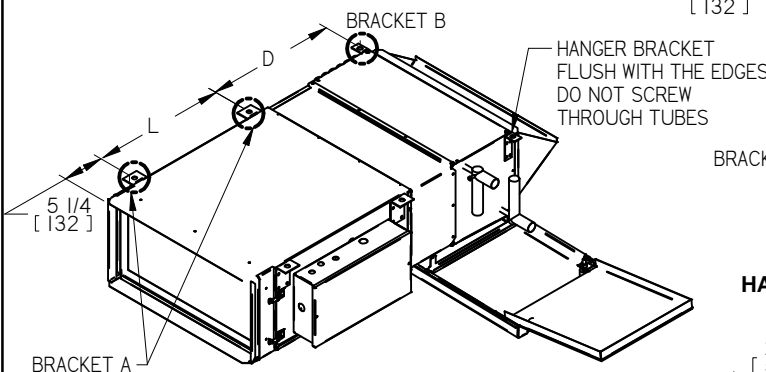
COOLING & HEATING				
UNIT SIZE	L in.(mm)	D in.(mm)		
		1 & 2 ROW	3 & 4 ROW	6 ROW
SZ. 20-40	16 7/8" (429)			
SZ. 50, 60	18 7/8" (480)	13 1/4" (336)	15" (380)	16 3/8" (417)
70	22" (559)			
PREHEAT & REHEAT				
UNIT SIZE	L in.(mm)	D in.(mm)		
		1-3; 2-3; 1-4; 2-4; 3-1; 3-2; 4-1; 4-2	1-6; 2-6; 6-1; 6-2	
SZ. 20-40	16 7/8" (429)			
SZ. 50, 60	18 7/8" (480)	20" (508)		21 3/8" (544)
SZ. 70	22" (559)			



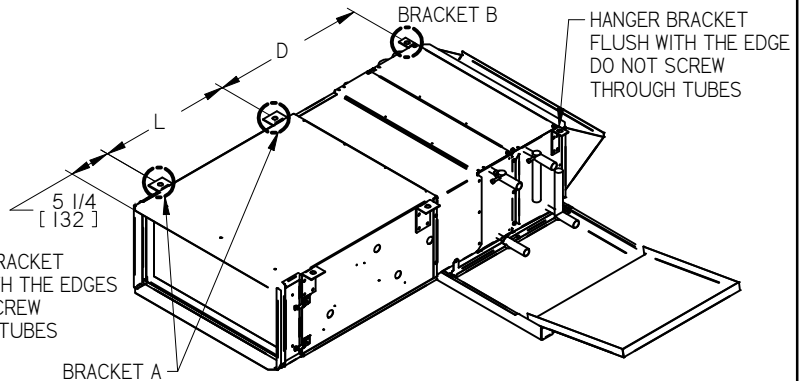
FCHG 2-PIPE SYSTEM (HEATING)



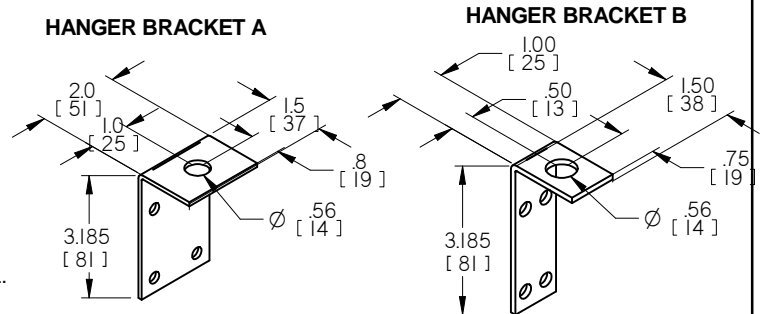
FCHG 4-PIPE SYSTEM (REHEAT)



FCHG 2-PIPE SYSTEM (COOLING)



FCHG 4-PIPE SYSTEM (PREHEAT)



HANGER BRACKET A
PRICE PART #: 222628

HANGER BRACKET B
PRICE PART #: 247895

NOTES:

- HANGER BRACKETS ARE 12 GAUGE ZINC COATED STEEL.
- 4 (A) BRACKETS PER FAN UNIT. 2 (B) BRACKETS PER WATER COIL.
- BRACKETS ARE SHIPPED LOOSE FOR FIELD INSTALLATION FOR USE WITH THREADED HANGER RODS. (BY OTHERS)
- LAYOUT INDICATES SUGGESTED HANGER BRACKET LOCATIONS.
- HANGER BRACKETS TO BE FLUSH WITH TOP OF UNIT.

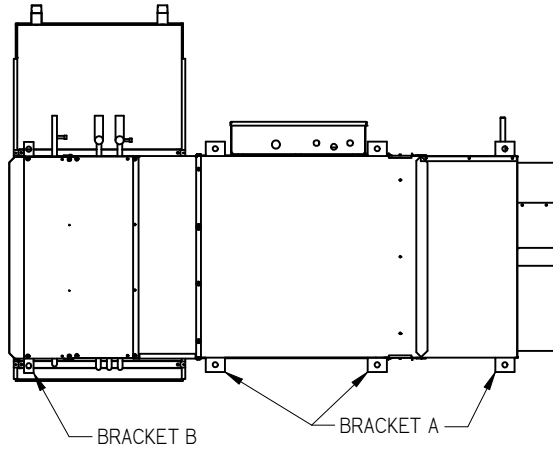
ALL METRIC DIMENSIONS () ARE SOFT CONVERTED. IMPERIAL DIMENSIONS ARE CONVERTED TO METRIC AND ROUNDED TO THE NEAREST MILLIMETER.

PROJECT:		PRICE®	
ENGINEER:		GF	ACCESSORIES HANGER BRACKETS (HB) LOCATIONS FOR FCHG
CUSTOMER:		255512	
SUBMITTAL DATE:		2017/07/17	
SPEC. SYMBOL:			

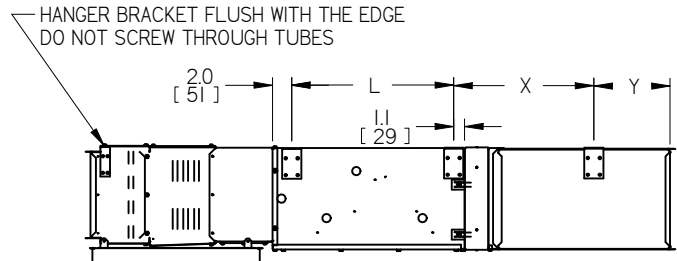
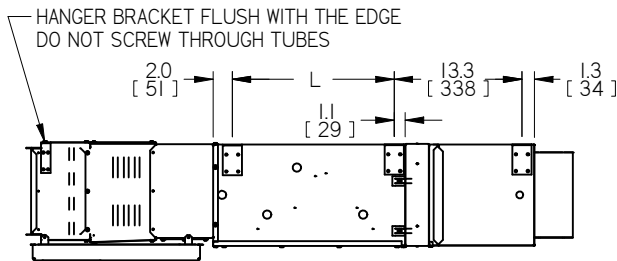
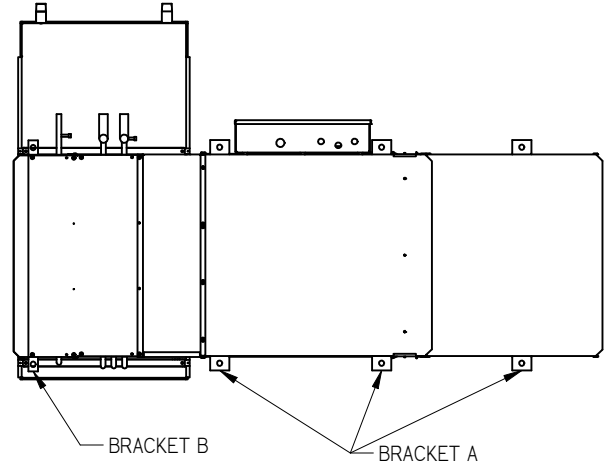
HANGER BRACKETS (HB) LOCATION

UNIT SIZE	L in.(mm)	X in. (mm)	Y in. (mm)
SZ. 20-40	16 7/8" (429)	14 5/8" (370)	7 7/8" (200)
SZ. 50, 60	18 7/8" (480)	14 5/8" (370)	7 7/8" (200)
SZ. 70	22" (559)	25" (635)	15 5/8" (397)

**FCHG 4-PIPE SYSTEM
(REHEAT) W/ MIXING BOX OR FAI**



**FCHG 4-PIPE SYSTEM
(REHEAT) W/ INLET SILENCER**

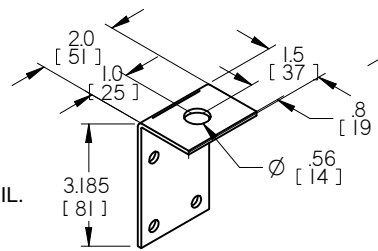


NOTES:

- HANGER BRACKETS ARE 12 GAUGE ZINC COATED STEEL.
- 4 (A) BRACKETS PER FAN UNIT. 2 (B) BRACKETS PER WATER COIL.
- 2 (A) BRACKETS PER MIXING BOX AND FRESH AIR INLET
- 2 (A) BRACKETS PER INLET SILENCER
- BRACKETS ARE SHIPPED LOOSE FOR FIELD INSTALLATION FOR USE WITH THREADED HANGER RODS. (BY OTHERS)
- LAYOUT INDICATES SUGGESTED HANGER BRACKET LOCATIONS.
- HANGER BRACKETS TO BE FLUSH WITH TOP OF UNIT.

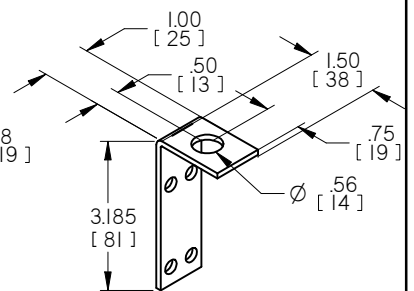
ALL METRIC DIMENSIONS () ARE SOFT CONVERTED. IMPERIAL DIMENSIONS ARE CONVERTED TO METRIC AND ROUNDED TO THE NEAREST MILLIMETER.

HANGER BRACKET A



**HANGER BRACKETS (HB)
PRICE PART #: 222628**

HANGER BRACKET B



**HANGER BRACKETS (HB)
PRICE PART #: 247895**

PROJECT:

ENGINEER:

CUSTOMER:

SUBMITTAL DATE:

SPEC. SYMBOL:



GF

255512

2017/07/17

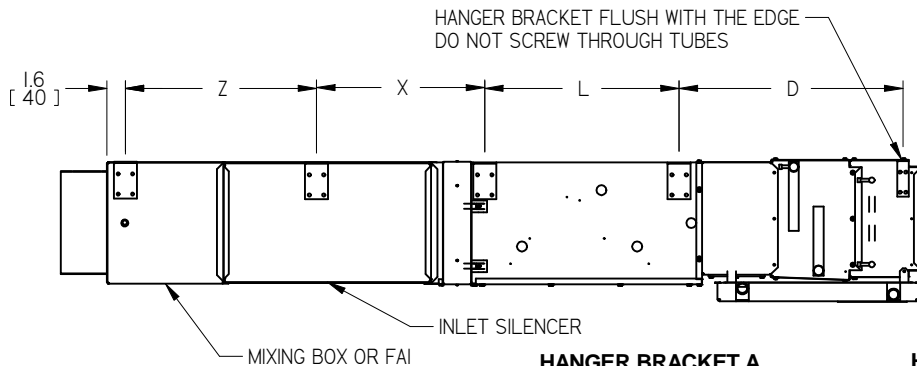
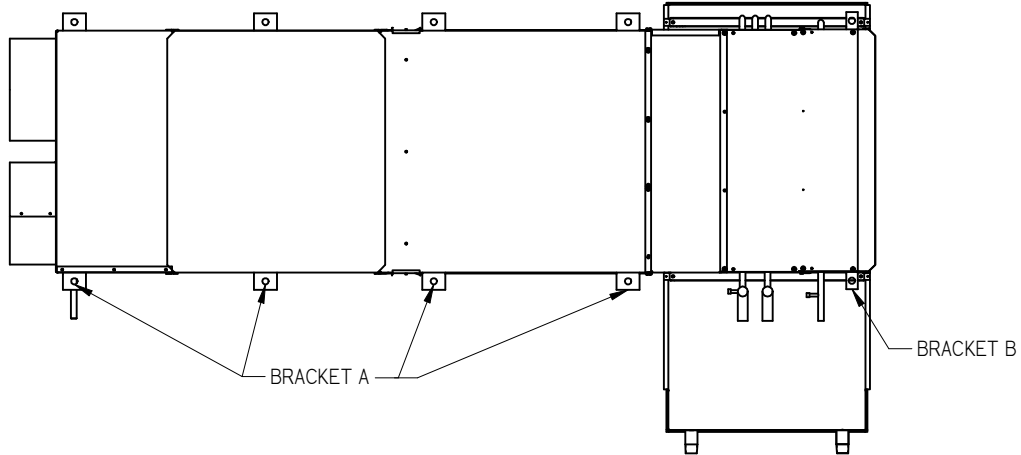
**ACCESSORIES
HANGER BRACKETS (HB)
LOCATIONS
FOR FCHG**

Solid Edge

HANGER BRACKETS (HB) LOCATION

COOLING & HEATING						
UNIT SIZE	L in.(mm)	D in.(mm)			X in. (mm)	Z in. (mm)
		1 & 2 ROW	3 & 4 ROW	6 ROW		
SZ. 20-40	16 7/8" (429)	13 1/4" (336)	15" (380)	16 3/8" (417)	14 5/8" (370)	16 5/8" (423)
SZ. 50, 60	18 7/8" (480)				14 5/8" (370)	16 5/8" (423)
70	22" (559)				25" (635)	24 1/4" (616)
PREHEAT & REHEAT						
UNIT SIZE	L in.(mm)	D in.(mm)		X in. (mm)	Z in. (mm)	
		1-3; 2-3; 1-4; 2-4; 3-1; 3-2; 4-1; 4-2	1-6; 2-6; 6-1; 6-2			
SZ. 20-40	16 7/8" (429)	20" (508)	21 3/8" (544)	14 5/8" (370)	16 5/8" (423)	
SZ. 50, 60	18 7/8" (480)			14 5/8" (370)	16 5/8" (423)	
SZ. 70	22" (559)			25" (635)	24 1/4" (616)	

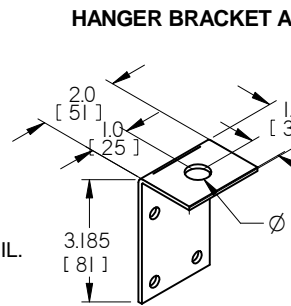
FCHG WITH MIXING BOX OR FAI AND INLET SILENCER



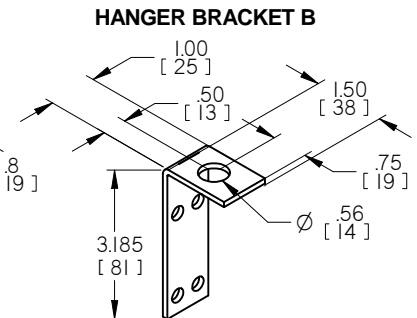
NOTES:

- HANGER BRACKETS ARE 12 GAUGE ZINC COATED STEEL.
- 4 (A) BRACKETS PER FAN UNIT. 2 (B) BRACKETS PER WATER COIL.
- 2 (A) BRACKETS PER MIXING BOX AND FRESH AIR INLET
- 2 (A) BRACKETS PER INLET SILENCER
- BRACKETS ARE SHIPPED LOOSE FOR FIELD INSTALLATION FOR USE WITH THREADED HANGER RODS. (BY OTHERS)
- LAYOUT INDICATES SUGGESTED HANGER BRACKET LOCATIONS.
- HANGER BRACKETS TO BE FLUSH WITH TOP OF UNIT.

ALL METRIC DIMENSIONS () ARE SOFT CONVERTED. IMPERIAL DIMENSIONS ARE CONVERTED TO METRIC AND ROUNDED TO THE NEAREST MILLIMETER.



**HANGER BRACKETS (HB)
PRICE PART #: 222628**



**HANGER BRACKETS (HB)
PRICE PART #: 247895**

PROJECT:

ENGINEER:

CUSTOMER:

SUBMITTAL DATE:

SPEC. SYMBOL:

PRICE

GF

**ACCESSORIES
HANGER BRACKETS (HB)
LOCATIONS
FOR FCHG WITH MIXING BOX
OR FAI AND INLET SILENCER**

255512

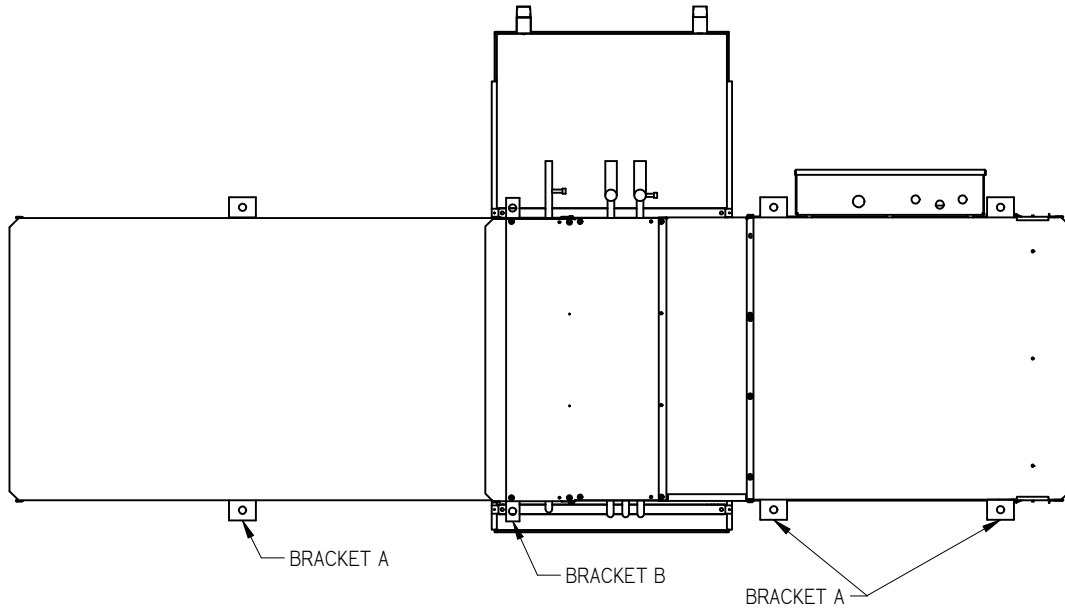
2017/07/17

Solid Edge

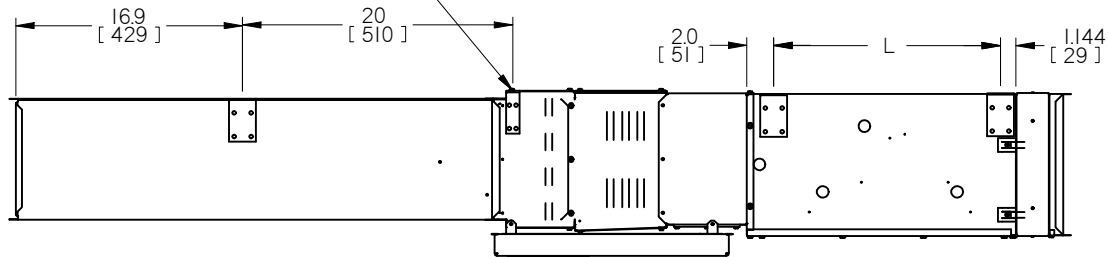
HANGER BRACKETS (HB) LOCATION

FCHGQ

UNIT SIZE	L in.(mm)
SZ. 20-40	16 7/8" (429)
SZ. 50, 60	18 7/8" (480)
SZ. 70	22" (559)

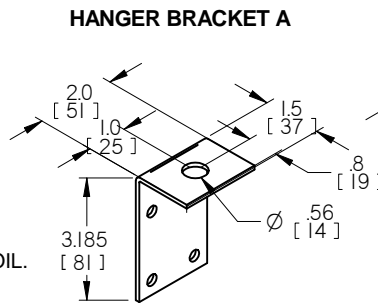


HANGER BRACKET FLUSH WITH THE EDGE
DO NOT SCREW THROUGH TUBES

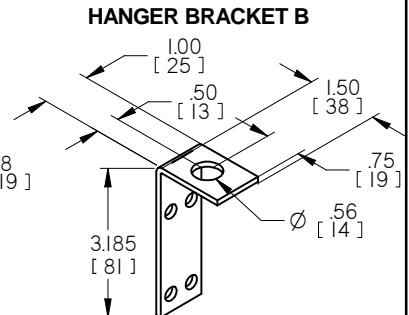


NOTES:

- HANGER BRACKETS ARE 12 GAUGE ZINC COATED STEEL.
- 4 (A) BRACKETS PER FAN UNIT. 2 (B) BRACKETS PER WATER COIL. 2 (A) BRACKETS PER SILENCER.
- BRACKETS ARE SHIPPED LOOSE FOR FIELD INSTALLATION FOR USE WITH THREADED HANGER RODS. (BY OTHERS)
- LAYOUT INDICATES SUGGESTED HANGER BRACKET LOCATIONS.
- HANGER BRACKETS TO BE FLUSH WITH TOP OF UNIT.



**HANGER BRACKETS (HB)
PRICE PART #: 222628**



**HANGER BRACKETS (HB)
PRICE PART #: 247895**

ALL METRIC DIMENSIONS () ARE SOFT CONVERTED. IMPERIAL DIMENSIONS ARE CONVERTED TO METRIC AND ROUNDED TO THE NEAREST MILLIMETER.

PROJECT:

ENGINEER:

CUSTOMER:

SUBMITTAL DATE:

SPEC. SYMBOL:

PRICE

GF

255512

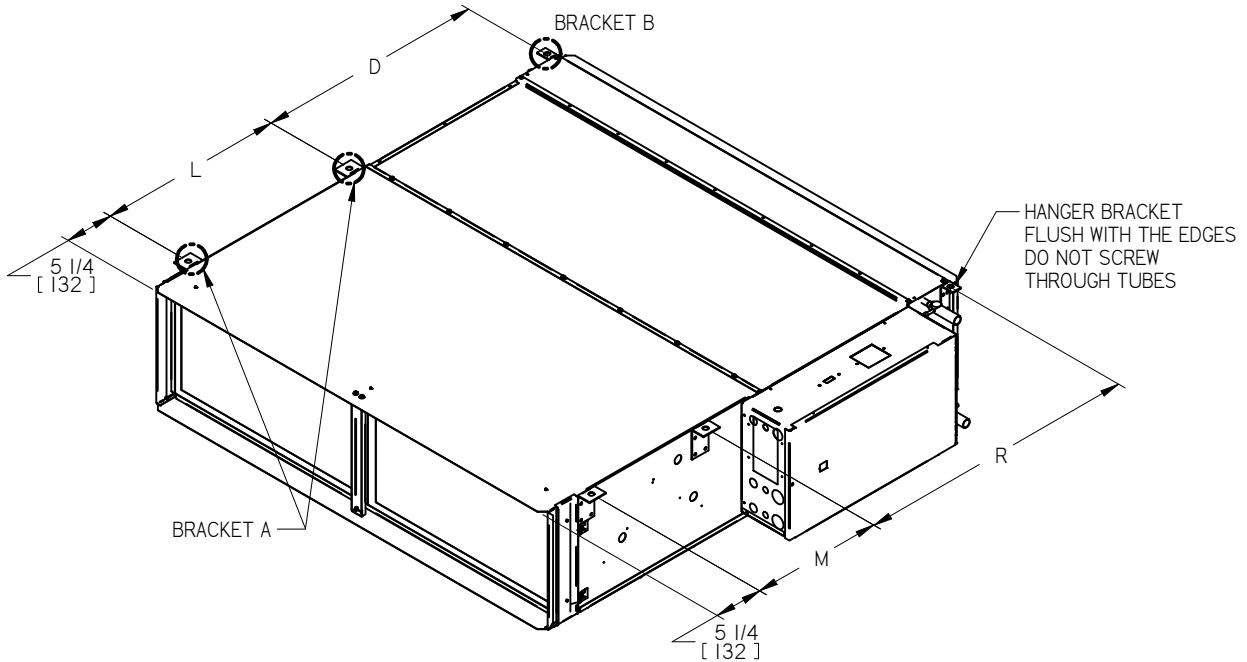
2017/07/17

**ACCESSORIES
HANGER BRACKETS (HB)
LOCATIONS
FOR FCHGQ**

Solid Edge

HANGER BRACKETS (HB) LOCATION

UNIT SIZE	L in.(mm)	M in.(mm)	COOLING					
			D in.(mm)			R in.(mm)		
			1 & 2 ROW	3 & 4 ROW	6 ROW	1 & 2 ROW	3 & 4 ROW	6 ROW
SZ. 20-40	17 1/4" (438)	12 5/8" (321)				28 7/8" (733)	30 5/8" (777)	32 5/8" (829)
SZ. 50, 60	19 3/4" (502)	15" (381)	24 1/4" (616)	26" (660)	28" (711)	29" (737)	30 3/4" (781)	32 3/4" (831)
SZ. 70	22 7/8" (581)	18 1/8" (460)						



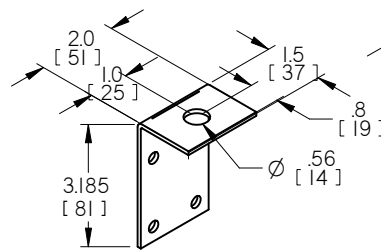
**FCHG 2-PIPE SYSTEM
COOLING W/ ELECTRIC HEAT**



NOTES:

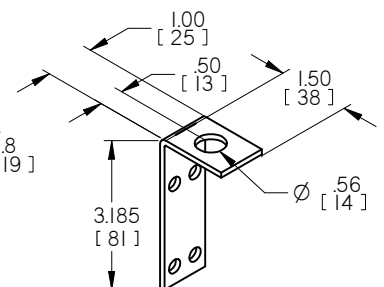
- HANGER BRACKETS ARE 12 GAUGE ZINC COATED STEEL.
- 4 (A) BRACKETS PER FAN UNIT. 2 (B) BRACKETS PER WATER COIL.
- BRACKETS ARE SHIPPED LOOSE FOR FIELD INSTALLATION FOR USE WITH THREADED HANGER RODS. (BY OTHERS)
- LAYOUT INDICATES SUGGESTED HANGER BRACKET LOCATIONS.
- HANGER BRACKETS TO BE FLUSH WITH TOP OF UNIT.

HANGER BRACKET A



**HANGER BRACKETS (HB)
PRICE PART #: 222628**

HANGER BRACKET B

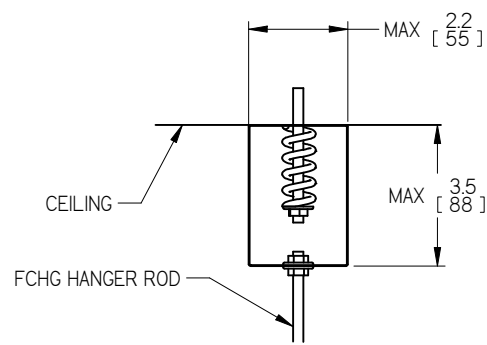
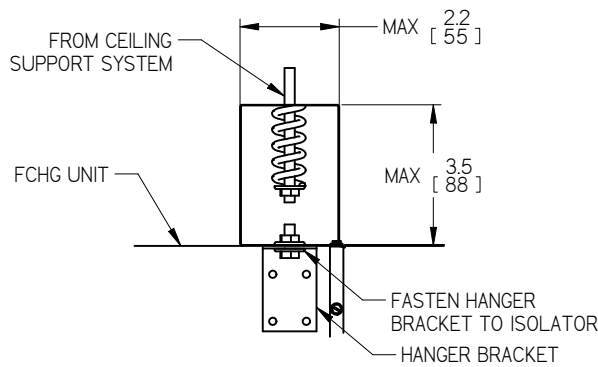
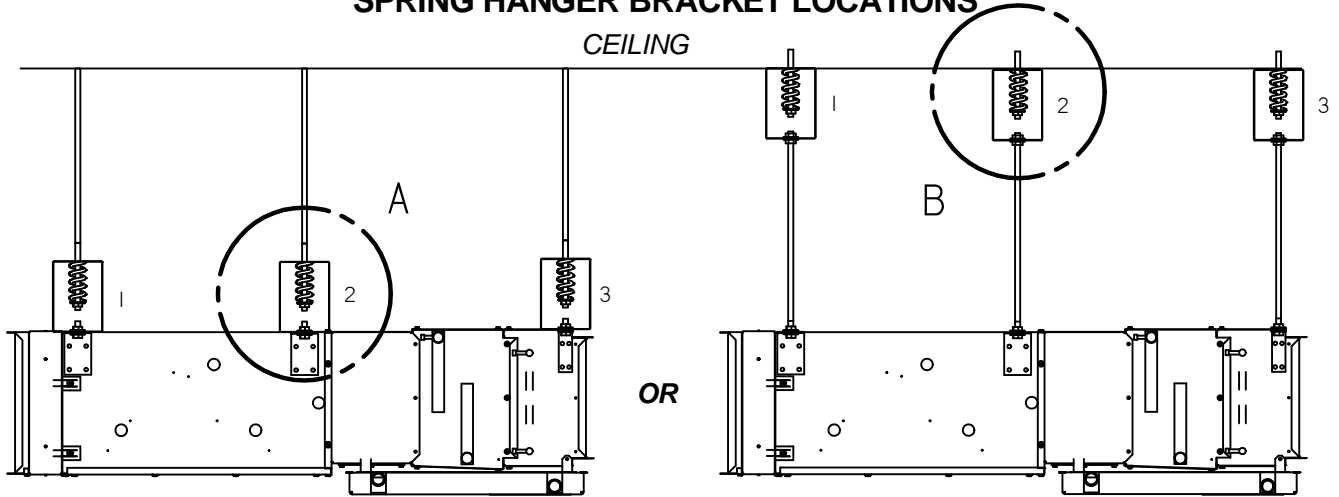


**HANGER BRACKETS (HB)
PRICE PART #: 247895**

ALL METRIC DIMENSIONS () ARE SOFT CONVERTED. IMPERIAL DIMENSIONS ARE CONVERTED TO METRIC AND ROUNDED TO THE NEAREST MILLIMETER.

PROJECT:		PRICE
ENGINEER:		
CUSTOMER:		ACCESSORIES HANGER BRACKETS (HB) LOCATIONS FOR FCHG W/ EC
SUBMITTAL DATE:		
SPEC. SYMBOL:		255512
		2017/07/17

SPRING HANGER BRACKET LOCATIONS



DETAIL A

DETAIL B

FCHG SPRING BRACKET COLORS								
COIL	1-4 ROW		5 ROW		6 & 7 ROW		8 ROW	
BRACKET #	1&2	3	1&2	3	1&2	3	1&2	3
20-40	BLUE OR RED	BLUE OR RED	BLUE OR RED	BLUE OR RED	BLUE OR RED	BLUE OR RED	BLUE OR RED	BLUE OR RED
50	BLUE OR RED	BLUE OR RED	BLUE OR RED	BLUE OR RED	BLUE OR RED	BLUE OR RED	BLUE OR RED	GREEN OR YELLOW
60	BLUE OR RED	BLUE OR RED	BLUE OR RED	BLUE OR RED	BLUE OR RED	GREEN OR YELLOW	BLUE OR RED	GREEN OR YELLOW
70	GREEN OR YELLOW	BLUE OR RED	GREEN OR YELLOW	GREEN OR YELLOW	GREEN OR YELLOW	GREEN OR YELLOW	GREEN OR YELLOW	GREEN OR YELLOW

NOTES:

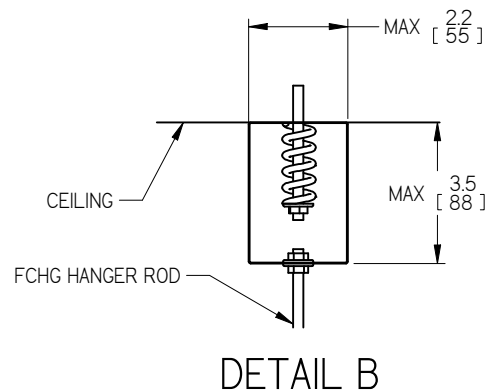
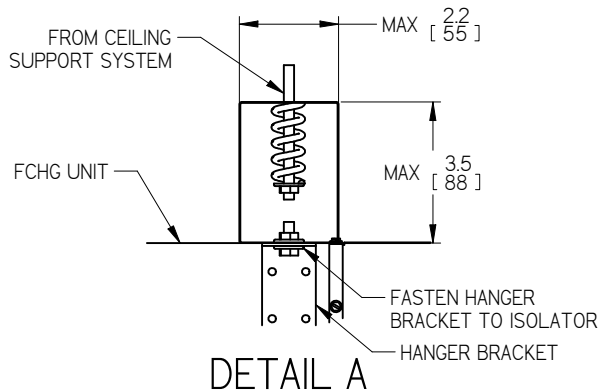
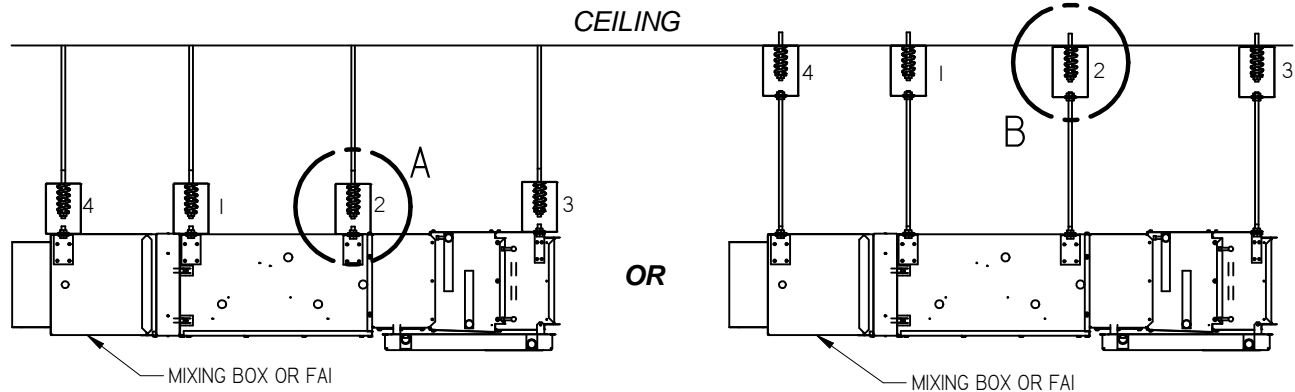
- REFER TO DRAWING 255512 FOR HANGER BRACKET LOCATIONS AND TYPE (A or B) BASED ON UNIT SIZE
- BLUE HANGER BRACKETS RATED TO A MAXIMUM OF 35 LB
- GREEN HANGER BRACKETS RATED TO A MAXIMUM OF 65LB
- RED HANGER BRACKETS RATED TO A MAXIMUM OF 39 LB
- YELLOW HANGER BRACKETS RATED TO A MAXIMUM OF 68 LB
- HANGER BRACKETS AND SPRING BRACKETS ARE SHIPPED LOOSE FOR FIELD INSTALLATION
- ORIENT THE ISOLATOR AS SHOWN TO PROPERLY DAMPEN FAN COIL

ALL METRIC DIMENSIONS () ARE SOFT CONVERTED. IMPERIAL DIMENSIONS ARE CONVERTED TO METRIC AND ROUNDED TO THE NEAREST MILLIMETER.



PROJECT:		PRICE	
ENGINEER:		GF	FCHG
CUSTOMER:		260678	SPRING HANGER BRACKET INSTALLATION
SUBMITTAL DATE:	SPEC. SYMBOL:	2017/04/04	

SPRING HANGER BRACKET LOCATIONS



FCHG SPRING BRACKET COLORS												
COIL	1-4 ROW			5 ROW			6 & 7 ROW			8 ROW		
BRACKET #	1&2	3	4	1&2	3	4	1&2	3	4	1&2	3	4
20-40	BLUE OR RED	BLUE OR RED	BLUE OR RED	BLUE OR RED	BLUE OR RED	BLUE OR RED	BLUE OR RED	BLUE OR RED	BLUE OR RED	BLUE OR RED	BLUE OR RED	BLUE OR RED
50	BLUE OR RED	BLUE OR RED	BLUE OR RED	BLUE OR RED	BLUE OR RED	BLUE OR RED	BLUE OR RED	BLUE OR RED	BLUE OR RED	BLUE OR RED	GREEN OR YELLOW	BLUE OR RED
60	BLUE OR RED	BLUE OR RED	BLUE OR RED	BLUE OR RED	BLUE OR RED	BLUE OR RED	BLUE OR RED	GREEN OR YELLOW	BLUE OR RED	BLUE OR RED	GREEN OR YELLOW	BLUE OR RED
70	GREEN OR YELLOW	BLUE OR RED	BLUE OR RED	GREEN OR YELLOW	GREEN OR YELLOW	BLUE OR RED	GREEN OR YELLOW	GREEN OR YELLOW	BLUE OR RED	GREEN OR YELLOW	GREEN OR YELLOW	BLUE OR RED

NOTES:

- REFER TO DRAWING 255512 FOR HANGER BRACKET LOCATIONS AND TYPE (A or B) BASED ON UNIT SIZE
- BLUE HANGER BRACKETS RATED TO A MAXIMUM OF 35 LB
- GREEN HANGER BRACKETS RATED TO A MAXIMUM OF 65 LB
- RED HANGER BRACKETS RATED TO A MAXIMUM OF 39 LB
- YELLOW HANGER BRACKETS RATED TO A MAXIMUM OF 68 LB
- HANGER BRACKETS AND SPRING BRACKETS ARE SHIPPED LOOSE FOR FIELD INSTALLATION
- ORIENT THE ISOLATOR AS SHOWN TO PROPERLY DAMPEN FAN COIL

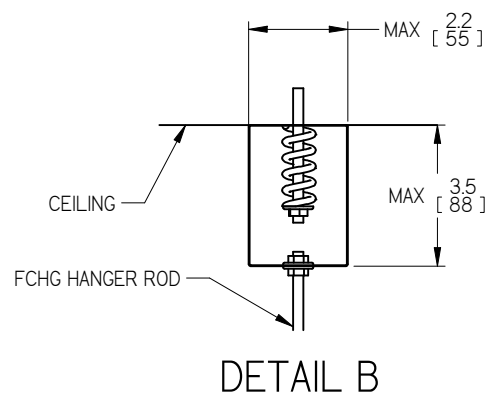
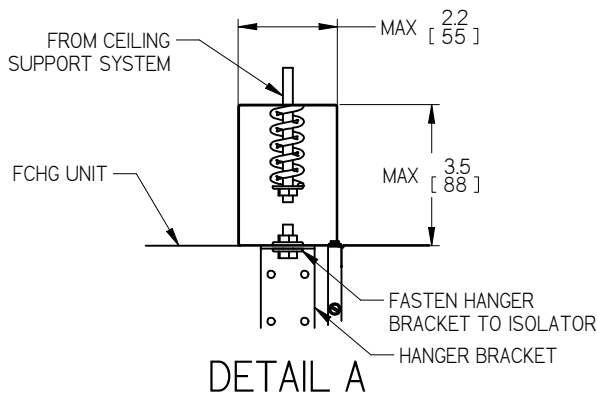
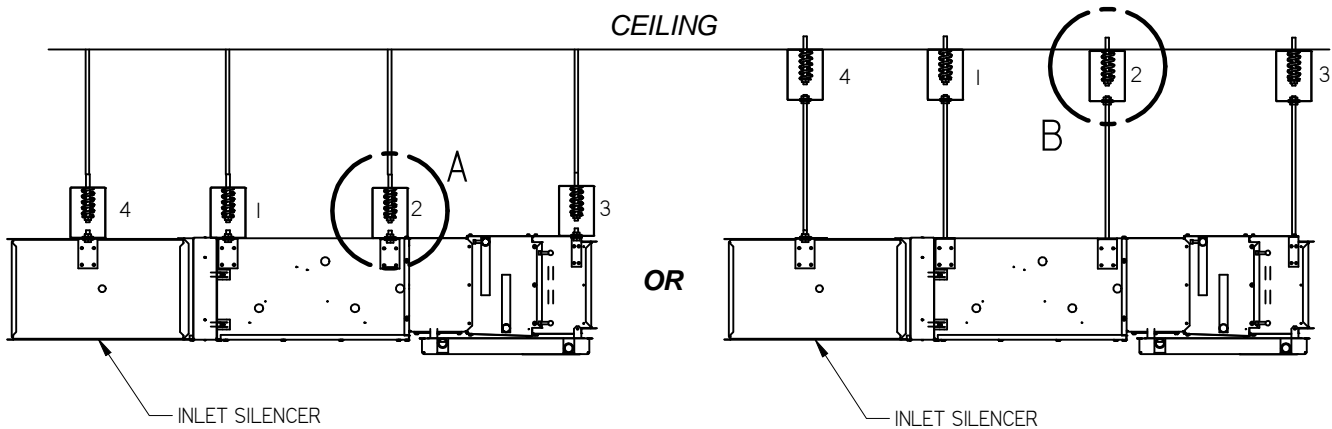


ALL METRIC DIMENSIONS () ARE SOFT CONVERTED. IMPERIAL DIMENSIONS ARE CONVERTED TO METRIC AND ROUNDED TO THE NEAREST MILLIMETER.

PROJECT:		FCHG WITH MIXING BOX OR FAI SPRING HANGER BRACKET INSTALLATION
ENGINEER:		
CUSTOMER:		
SUBMITTAL DATE:	SPEC. SYMBOL:	
		GF 260678 2017/04/04

Solid Edge

SPRING HANGER BRACKET LOCATIONS



FCHG SPRING BRACKET COLORS												
COIL	1-4 ROW			5 ROW			6 & 7 ROW			8 ROW		
BRACKET #	1&2	3	4	1&2	3	4	1&2	3	4	1&2	3	4
20-40	BLUE OR RED	BLUE OR RED	BLUE OR RED	BLUE OR RED	BLUE OR RED	BLUE OR RED	BLUE OR RED	BLUE OR RED	BLUE OR RED	BLUE OR RED	BLUE OR RED	BLUE OR RED
50	BLUE OR RED	BLUE OR RED	BLUE OR RED	BLUE OR RED	BLUE OR RED	BLUE OR RED	BLUE OR RED	BLUE OR RED	BLUE OR RED	BLUE OR RED	GREEN OR YELLOW	BLUE OR RED
60	BLUE OR RED	BLUE OR RED	BLUE OR RED	BLUE OR RED	BLUE OR RED	BLUE OR RED	BLUE OR RED	GREEN OR YELLOW	BLUE OR RED	BLUE OR RED	GREEN OR YELLOW	BLUE OR RED
70	GREEN OR YELLOW	BLUE OR RED	GREEN OR YELLOW	GREEN OR YELLOW	GREEN OR YELLOW	GREEN OR YELLOW	GREEN OR YELLOW	GREEN OR YELLOW	GREEN OR YELLOW	GREEN OR YELLOW	GREEN OR YELLOW	GREEN OR YELLOW

NOTES:

- REFER TO DRAWING 255512 FOR HANGER BRACKET LOCATIONS AND TYPE (A or B) BASED ON UNIT SIZE
- BLUE HANGER BRACKETS RATED TO A MAXIMUM OF 35 LB
- GREEN HANGER BRACKETS RATED TO A MAXIMUM OF 65 LB
- RED HANGER BRACKETS RATED TO MAXIMUM OF 39 LB
- YELLOW HANGER BRACKETS RATED TO MAXIMUM OF 68 LB
- HANGER BRACKETS AND SPRING BRACKETS ARE SHIPPED LOOSE FOR FIELD INSTALLATION
- ORIENT THE ISOLATOR AS SHOWN TO PROPERLY DAMPEN FAN COIL

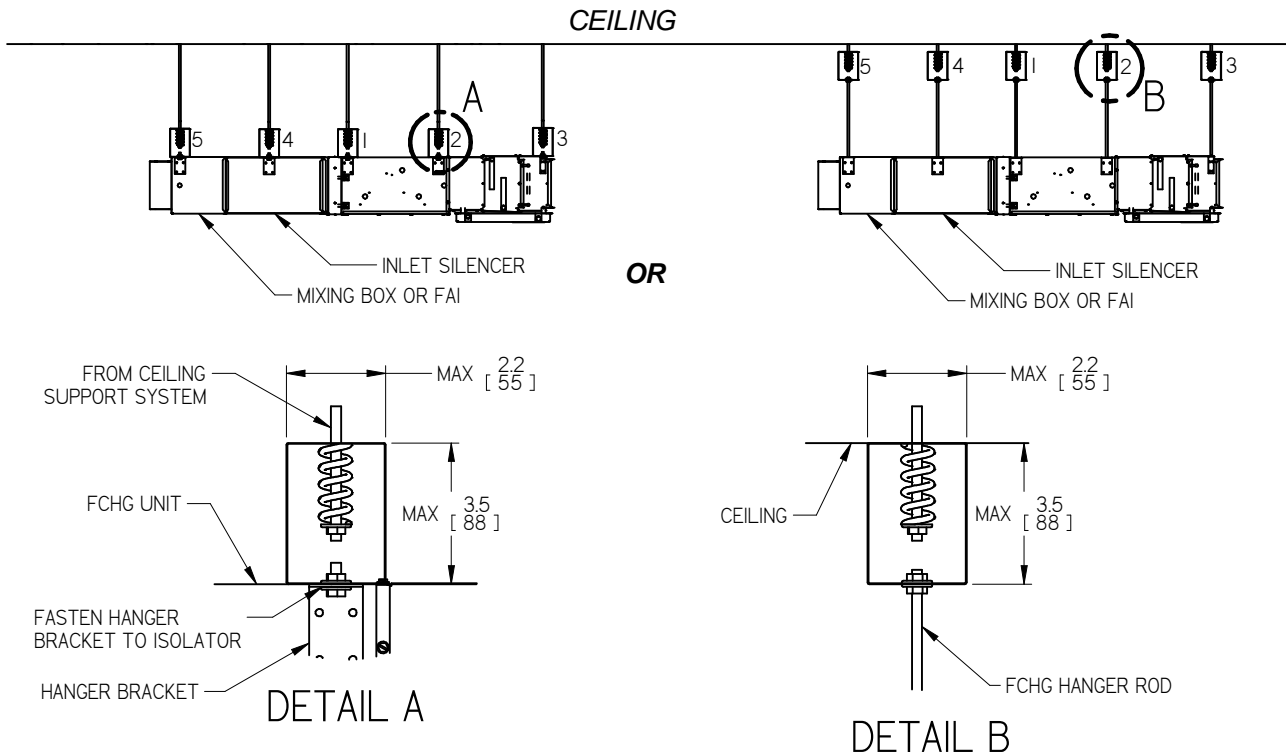
ALL METRIC DIMENSIONS () ARE SOFT CONVERTED. IMPERIAL DIMENSIONS ARE CONVERTED TO METRIC AND ROUNDED TO THE NEAREST MILLIMETER.



PROJECT:		PRICE	
ENGINEER:		GF	FCHG WITH INLET SILENCER SPRING HANGER BRACKET INSTALLATION
CUSTOMER:		260678	
SUBMITTAL DATE:	SPEC. SYMBOL:	2017/04/04	

Solid Edge

SPRING HANGER BRACKET LOCATIONS



FCHG SPRING BRACKET COLORS																
COIL BRACKET #	1-4 ROW				5 ROW				6 & 7 ROW				8 ROW			
	1&2	3	4	5	1&2	3	4	5	1&2	3	4	5	1&2	3	4	5
20-40	BLUE OR RED	BLUE OR RED	BLUE OR RED	BLUE OR RED	BLUE OR RED	BLUE OR RED	BLUE OR RED	BLUE OR RED	BLUE OR RED	BLUE OR RED	BLUE OR RED	BLUE OR RED	BLUE OR RED	BLUE OR RED	BLUE OR RED	BLUE OR RED
50	BLUE OR RED	BLUE OR RED	BLUE OR RED	BLUE OR RED	BLUE OR RED	BLUE OR RED	BLUE OR RED	BLUE OR RED	BLUE OR RED	BLUE OR RED	BLUE OR RED	BLUE OR RED	BLUE OR RED	GREEN OR YELLOW	BLUE OR RED	BLUE OR RED
60	BLUE OR RED	BLUE OR RED	BLUE OR RED	BLUE OR RED	BLUE OR RED	BLUE OR RED	BLUE OR RED	BLUE OR RED	BLUE OR RED	GREEN OR YELLOW	BLUE OR RED	BLUE OR RED	BLUE OR RED	GREEN OR YELLOW	BLUE OR RED	BLUE OR RED
70	GREEN OR YELLOW	BLUE OR RED	GREEN OR YELLOW	BLUE OR RED	GREEN OR YELLOW	GREEN OR YELLOW	GREEN OR YELLOW	BLUE OR RED	GREEN OR YELLOW	GREEN OR YELLOW	GREEN OR YELLOW	BLUE OR RED	GREEN OR YELLOW	GREEN OR YELLOW	GREEN OR YELLOW	BLUE OR RED

NOTES:

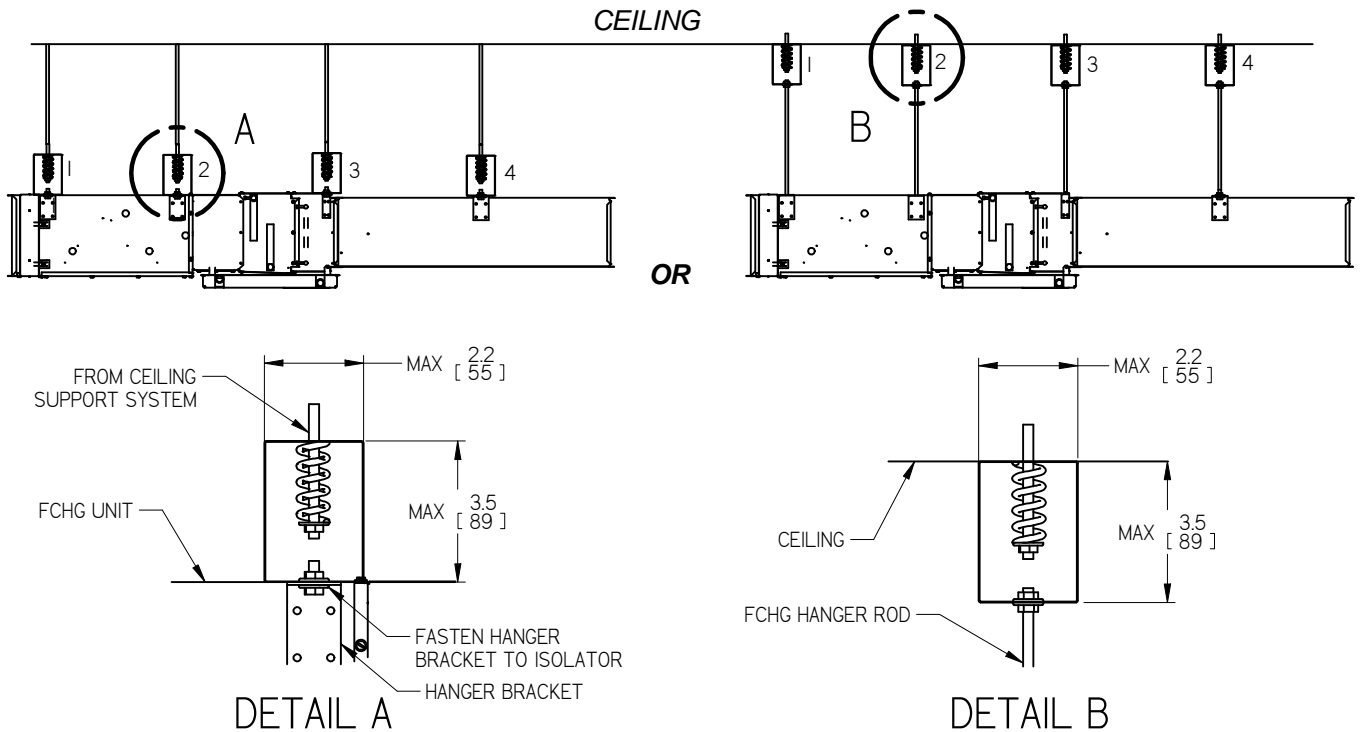
- REFER TO DRAWING 255512 FOR HANGER BRACKET LOCATIONS AND TYPE (A or B) BASED ON UNIT SIZE
- BLUE HANGER BRACKETS RATED TO A MAXIMUM OF 35 LB
- GREEN HANGER BRACKETS RATED TO A MAXIMUM OF 65 LB
- RED HANGER BRACKETS RATED TO A MAXIMUM OF 39 LB
- YELLOW HANGER BRACKETS RATED TO A MAXIMUM OF 68 LB
- HANGER BRACKETS AND SPRING BRACKETS ARE SHIPPED LOOSE FOR FIELD INSTALLATION
- ORIENT THE ISOLATOR AS SHOWN TO PROPERLY DAMPEN FAN COIL

ALL METRIC DIMENSIONS () ARE SOFT CONVERTED. IMPERIAL DIMENSIONS ARE CONVERTED TO METRIC AND ROUNDED TO THE NEAREST MILLIMETER.



PROJECT:		 FCHG WITH MIXING BOX OR FAI AND INLET SILENCER SPRING HANGER BRACKET INSTALLATION
ENGINEER:	GF	
CUSTOMER:	260678	
SUBMITTAL DATE:	2017/04/04	
SPEC. SYMBOL:		

SPRING HANGER BRACKET LOCATIONS



FCHGQ SPRING BRACKET COLORS													
COIL BRACKET #	1-4 ROW			5 ROW			6 & 7 ROW			8 ROW			
	1&2	3	4	1&2	3	4	1&2	3	4	1&2	3	4	
20-40	BLUE OR RED	BLUE OR RED	BLUE OR RED	BLUE OR RED	BLUE OR RED	BLUE OR RED	BLUE OR RED	BLUE OR RED	BLUE OR RED	BLUE OR RED	BLUE OR RED	BLUE OR RED	
50	BLUE OR RED	BLUE OR RED	BLUE OR RED	BLUE OR RED	BLUE OR RED	BLUE OR RED	BLUE OR RED	BLUE OR RED	BLUE OR RED	BLUE OR RED	GREEN OR YELLOW	BLUE OR RED	
60	BLUE OR RED	BLUE OR RED	GREEN OR YELLOW	BLUE OR RED	BLUE OR RED	GREEN OR YELLOW	BLUE OR RED	GREEN OR YELLOW	GREEN OR YELLOW	GREEN OR YELLOW	BLUE OR RED	GREEN OR YELLOW	GREEN OR YELLOW
70	GREEN OR YELLOW	BLUE OR RED	GREEN OR YELLOW	GREEN OR YELLOW	GREEN OR YELLOW	GREEN OR YELLOW	GREEN OR YELLOW	GREEN OR YELLOW	GREEN OR YELLOW	GREEN OR YELLOW	GREEN OR YELLOW	GREEN OR YELLOW	GREEN OR YELLOW

NOTES:

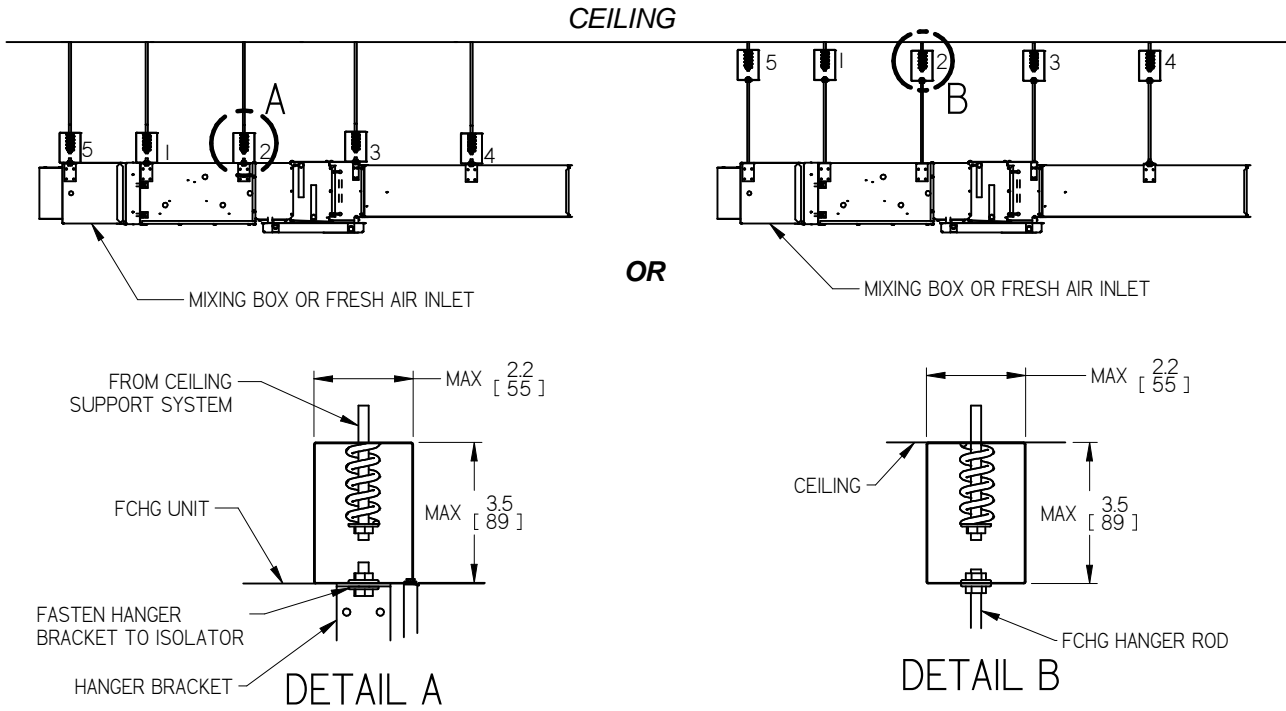
- REFER TO DRAWING 255512 FOR HANGER BRACKET LOCATIONS AND TYPE (A or B) BASED ON UNIT SIZE
- BLUE HANGER BRACKETS RATED TO A MAXIMUM OF 35 LB
- GREEN HANGER BRACKETS RATED TO A MAXIMUM OF 65 LB
- RED HANGER BRACKETS RATED TO A MAXIMUM OF 39 LB
- YELLOW HANGER BRACKETS RATED TO A MAXIMUM OF 68 LB
- HANGER BRACKETS AND SPRING BRACKETS ARE SHIPPED LOOSE FOR FIELD INSTALLATION
- ORIENT THE ISOLATOR AS SHOWN TO PROPERLY DAMPEN FAN COIL

ALL METRIC DIMENSIONS () ARE SOFT CONVERTED. IMPERIAL DIMENSIONS ARE CONVERTED TO METRIC AND ROUNDED TO THE NEAREST MILLIMETER.



PROJECT:		PRICE	
ENGINEER:		GF	FCHGQ
CUSTOMER:		261088	SPRING HANGER BRACKET INSTALLATION
SUBMITTAL DATE:	SPEC. SYMBOL:	2017/03/04	

SPRING HANGER BRACKET LOCATIONS



FCHGQ SPRING BRACKET COLORS																
COIL	1-4 ROW				5 ROW				6 & 7 ROW				8 ROW			
BRACKET #	1&2	3	4	5	1&2	3	4	5	1&2	3	4	5	1&2	3	4	5
20-40	BLUE OR RED	BLUE OR RED	BLUE OR RED	BLUE OR RED	BLUE OR RED	BLUE OR RED	BLUE OR RED	BLUE OR RED	BLUE OR RED	BLUE OR RED	BLUE OR RED	BLUE OR RED	BLUE OR RED	BLUE OR RED	BLUE OR RED	BLUE OR RED
50	BLUE OR RED	BLUE OR RED	BLUE OR RED	BLUE OR RED	BLUE OR RED	BLUE OR RED	BLUE OR RED	BLUE OR RED	BLUE OR RED	BLUE OR RED	BLUE OR RED	BLUE OR RED	BLUE OR RED	GREEN OR YELLOW	BLUE OR RED	BLUE OR RED
60	BLUE OR RED	BLUE OR RED	GREEN OR YELLOW	BLUE OR RED	BLUE OR RED	BLUE OR RED	GREEN OR YELLOW	BLUE OR RED	BLUE OR RED	GREEN OR YELLOW	GREEN OR YELLOW	BLUE OR RED	BLUE OR RED	GREEN OR YELLOW	GREEN OR YELLOW	BLUE OR RED
70	GREEN OR YELLOW	BLUE OR RED	GREEN OR YELLOW	BLUE OR RED	GREEN OR YELLOW	GREEN OR YELLOW	GREEN OR YELLOW	BLUE OR RED	GREEN OR YELLOW	GREEN OR YELLOW	GREEN OR YELLOW	BLUE OR RED	GREEN OR YELLOW	GREEN OR YELLOW	GREEN OR YELLOW	BLUE OR RED

NOTES:

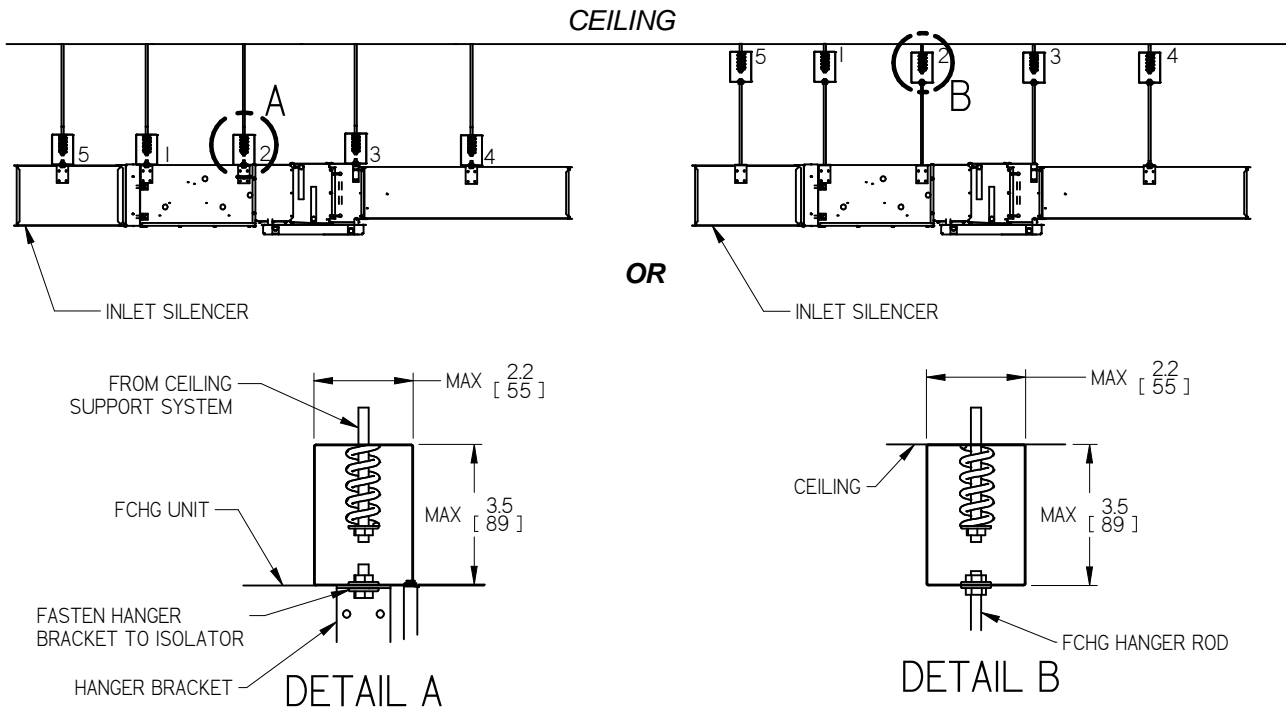
- REFER TO DRAWING 255512 FOR HANGER BRACKET LOCATIONS AND TYPE (A or B) BASED ON UNIT SIZE
- RED HANGER BRACKETS RATED TO A MAXIMUM OF 35 LB
- YELLOW HANGER BRACKETS RATED TO A MAXIMUM OF 65 LB
- RED HANGER BRACKETS RATED TO A MAXIMUM OF 65 LB
- YELLOW HANGER BRACKETS RATED TO A MAXIMUM OF 68 LB
- HANGER BRACKETS AND SPRING BRACKETS ARE SHIPPED LOOSE FOR FIELD INSTALLATION
- ORIENT THE ISOLATOR AS SHOWN TO PROPERLY DAMPEN FAN COIL



ALL METRIC DIMENSIONS () ARE SOFT CONVERTED. IMPERIAL DIMENSIONS ARE CONVERTED TO METRIC AND ROUNDED TO THE NEAREST MILLIMETER.

PROJECT:		PRICE	
ENGINEER:			
CUSTOMER:		GF	
SUBMITTAL DATE:		261088	
SPEC. SYMBOL:		2017/03/04	

SPRING HANGER BRACKET LOCATIONS



FCHGQ SPRING BRACKET COLORS																
COIL	1-4 ROW				5 ROW				6 & 7 ROW				8 ROW			
BRACKET #	1&2	3	4	5	1&2	3	4	5	1&2	3	4	5	1&2	3	4	5
20-40	BLUE OR RED	BLUE OR RED	BLUE OR RED	BLUE OR RED	BLUE OR RED	BLUE OR RED	BLUE OR RED	BLUE OR RED	BLUE OR RED	BLUE OR RED	BLUE OR RED	BLUE OR RED	BLUE OR RED	BLUE OR RED	BLUE OR RED	BLUE OR RED
50	BLUE OR RED	BLUE OR RED	BLUE OR RED	BLUE OR RED	BLUE OR RED	BLUE OR RED	BLUE OR RED	BLUE OR RED	BLUE OR RED	BLUE OR RED	BLUE OR RED	BLUE OR RED	BLUE OR RED	GREEN OR YELLOW	BLUE OR RED	BLUE OR RED
60	BLUE OR RED	BLUE OR RED	GREEN OR YELLOW	BLUE OR RED	BLUE OR RED	BLUE OR RED	GREEN OR YELLOW	BLUE OR RED	BLUE OR RED	GREEN OR YELLOW	GREEN OR YELLOW	BLUE OR RED	BLUE OR RED	GREEN OR YELLOW	GREEN OR YELLOW	BLUE OR RED
70	GREEN OR YELLOW	BLUE OR RED	GREEN OR YELLOW	GREEN OR YELLOW	GREEN OR YELLOW	GREEN OR YELLOW	GREEN OR YELLOW	GREEN OR YELLOW	GREEN OR YELLOW	GREEN OR YELLOW	GREEN OR YELLOW	GREEN OR YELLOW	GREEN OR YELLOW	GREEN OR YELLOW	GREEN OR YELLOW	GREEN OR YELLOW

NOTES:

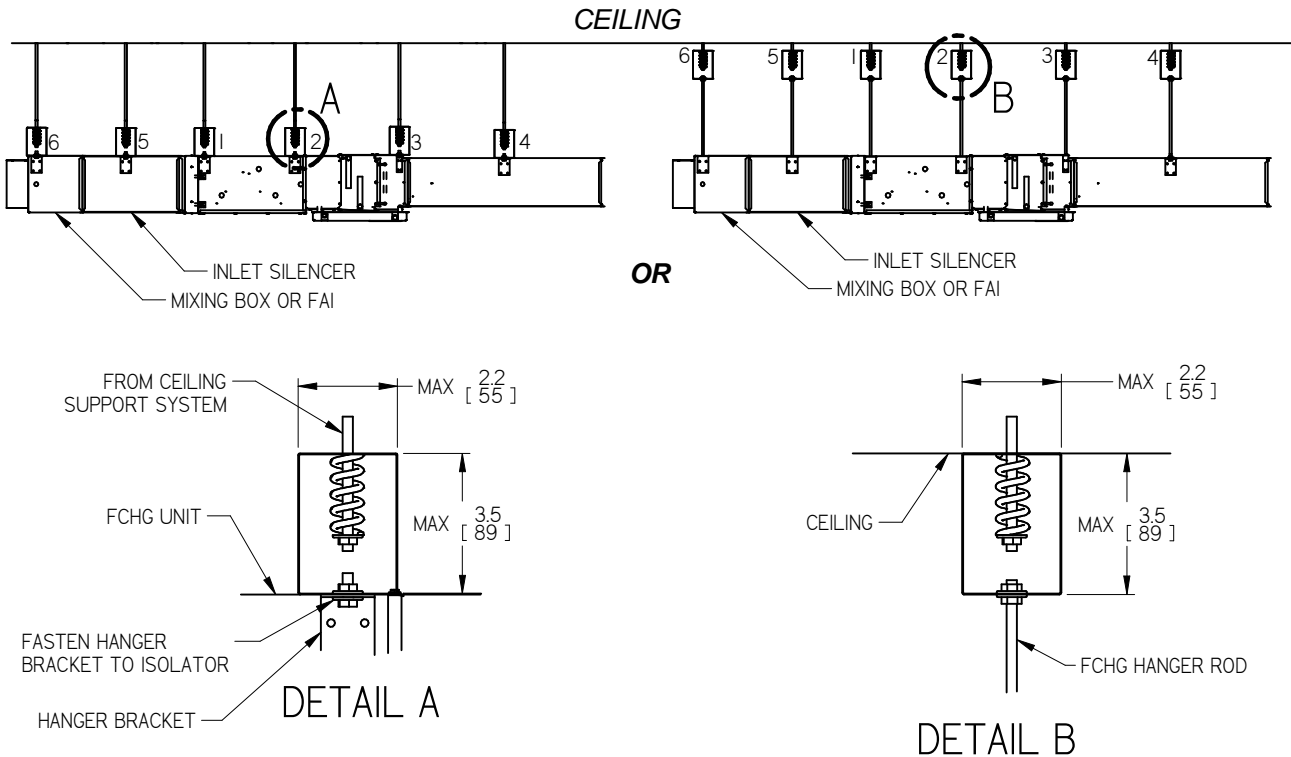
- REFER TO DRAWING 255512 FOR HANGER BRACKET LOCATIONS AND TYPE (A or B) BASED ON UNIT SIZE
- RED HANGER BRACKETS RATED TO A MAXIMUM OF 35 LB
- YELLOW HANGER BRACKETS RATED TO A MAXIMUM OF 65 LB
- RED HANGER BRACKETS RATED TO A MAXIMUM OF 39 LB
- YELLOW HANGER BRACKETS RATED TO A MAXIMUM OF 68 LB
- HANGER BRACKETS AND SPRING BRACKETS ARE SHIPPED LOOSE FOR FIELD INSTALLATION
- ORIENT THE ISOLATOR AS SHOWN TO PROPERLY DAMPEN FAN COIL



ALL METRIC DIMENSIONS () ARE SOFT CONVERTED. IMPERIAL DIMENSIONS ARE CONVERTED TO METRIC AND ROUNDED TO THE NEAREST MILLIMETER.

PROJECT:		PRICE 261088 2017/03/04	FCHGQ WITH INLET SILENCER SPRING HANGER BRACKET INSTALLATION
ENGINEER:			
CUSTOMER:			
SUBMITTAL DATE:	SPEC. SYMBOL:		

SPRING HANGER BRACKET LOCATIONS




FCHGQ SPRING BRACKET COLORS																				
COIL	1-4 ROW					5 ROW					6 & 7 ROW					8 ROW				
BRACKET #	1&2	3	4	5	6	1&2	3	4	5	6	1&2	3	4	5	6	1&2	3	4	5	6
20-40	BLUE OR RED	BLUE OR RED	BLUE OR RED	BLUE OR RED	BLUE OR RED	BLUE OR RED	BLUE OR RED	BLUE OR RED	BLUE OR RED	BLUE OR RED	BLUE OR RED	BLUE OR RED	BLUE OR RED	BLUE OR RED	BLUE OR RED	BLUE OR RED	BLUE OR RED	BLUE OR RED	BLUE OR RED	BLUE OR RED
50	BLUE OR RED	BLUE OR RED	BLUE OR RED	BLUE OR RED	BLUE OR RED	BLUE OR RED	BLUE OR RED	BLUE OR RED	BLUE OR RED	BLUE OR RED	BLUE OR RED	BLUE OR RED	BLUE OR RED	BLUE OR RED	BLUE OR RED	BLUE OR RED	BLUE OR RED	GREEN OR YELLOW	BLUE OR RED	BLUE OR RED
60	BLUE OR RED	BLUE OR RED	GREEN OR YELLOW	BLUE OR RED	BLUE OR RED	BLUE OR RED	BLUE OR RED	GREEN OR YELLOW	BLUE OR RED	BLUE OR RED	BLUE OR RED	GREEN OR YELLOW	GREEN OR YELLOW	BLUE OR RED	BLUE OR RED	BLUE OR RED	GREEN OR YELLOW	GREEN OR YELLOW	BLUE OR RED	BLUE OR RED
70	GREEN OR YELLOW	BLUE OR RED	GREEN OR YELLOW	GREEN OR YELLOW	BLUE OR RED	GREEN OR YELLOW	GREEN OR YELLOW	GREEN OR YELLOW	GREEN OR YELLOW	BLUE OR RED	GREEN OR YELLOW	GREEN OR YELLOW	GREEN OR YELLOW	GREEN OR YELLOW	BLUE OR RED	GREEN OR YELLOW	GREEN OR YELLOW	GREEN OR YELLOW	GREEN OR YELLOW	BLUE OR RED

NOTES:

- REFER TO DRAWING 255512 FOR HANGER BRACKET LOCATIONS AND TYPE (A or B) BASED ON UNIT SIZE
- BLUE HANGER BRACKETS RATED TO A MAXIMUM OF 35 LB
- GREEN HANGER BRACKETS RATED TO A MAXIMUM OF 66 LB
- RED HANGER BRACKETS RATED TO A MAXIMUM OF 39 LB
- YELLOW HANGER BRACKETS RATED TO A MAXIMUM OF 68 LB
- HANGER BRACKETS AND SPRING BRACKETS ARE SHIPPED LOOSE FOR FIELD INSTALLATION
- ORIENT THE ISOLATOR AS SHOWN TO PROPERLY DAMPEN FAN COIL

ALL METRIC DIMENSIONS () ARE SOFT CONVERTED. IMPERIAL DIMENSIONS ARE CONVERTED TO METRIC AND ROUNDED TO THE NEAREST MILLIMETER.



PROJECT:		 <p>FCHGQ WITH MIXING BOX OR FAI AND INLET SILENCER SPRING HANGER BRACKET INSTALLATION</p>
ENGINEER:	GF	
CUSTOMER:	261088	
SUBMITTAL DATE:	2017/03/04	
SPEC. SYMBOL:		